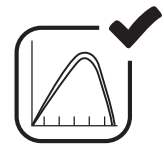


Three Phase

SUN- 60 / 70 / 75 / 80 K-G



Max. Efficiency
98.9%



4 MPPT



RS485/RS232



Internal SPD



Zero Export



IP65
Ingress Protection

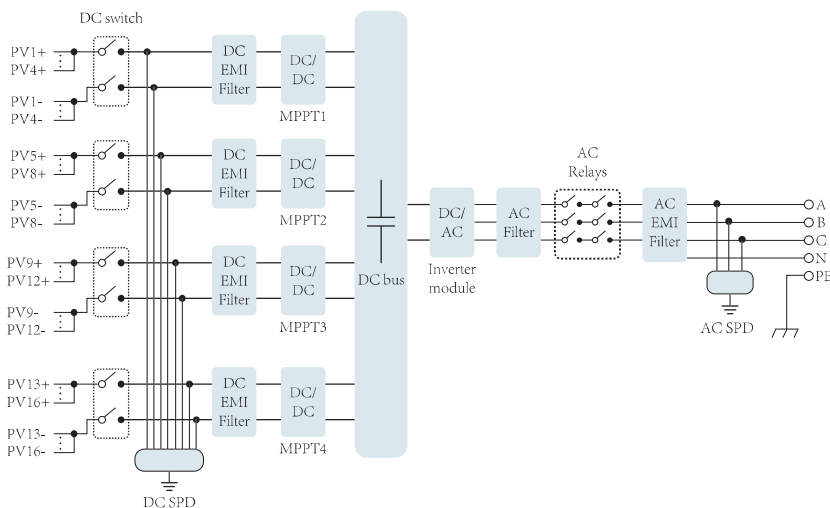


High Power
Factor

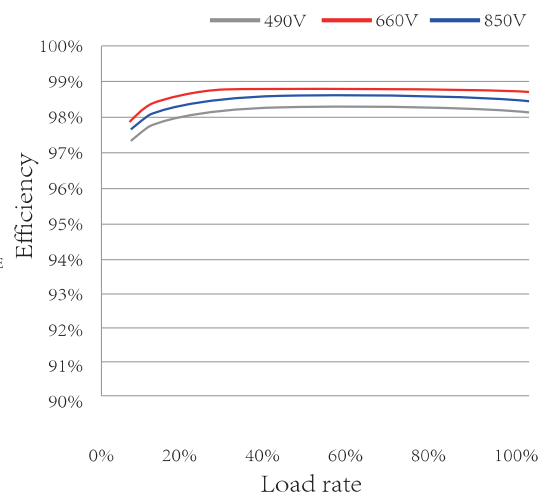


High Surge
Endurance

Circuit block diagram



Efficiency curve



Technical Specifications

Model	SUN-60K-G	SUN-70K-G	SUN-75K-G	SUN-80K-G
Energy source	Grid-connected PV			
Input Side				
Max.DC Power(kW)	78	91	97.5	96
Max.DC Input Voltage(V)	1000			
Start-up DC Input Voltage(V)	250			
MPPT Operating Range(V)	200~850			
Max.DC Input Current(A)	30+30+30+30	40+40+40+40	40+40+40+40	40+40+40+40
Number of MPPT/ Strings per MPPT	4/3	4/4	4/4	4/4
Output Side				
Rated Output Power(kW)	60	70	75	80
Max.Active Power(kW)	66	77	82.5	88
Rated AC Grid Voltage(V)	380/400			
AC Grid Voltage Range(V)	277~460			
Rated Grid Frequency(Hz)	50/60 (Optional)			
Operating Phase	Three phase			
Rated AC Grid Output Current(A)	87.8	101.5	108.7	115.9
Max.AC Output Current(A)	95.7	111.6	119.6	127.5
Output Power Factor	>0.99			
Grid Current THD	<3%			
DC Injection Current(mA)	<0.5%			
Grid Frequency Range	47~52 or 57~62(Optional)			
Efficiency				
Max. Efficiency	98.9%			
Euro Efficiency	98.3%			
MPPT Efficiency	>99%			
Protection				
DC Reverse-Polarity Protection	Yes			
AC Short Circuit Protection	Yes			
AC Output Overcurrent Protection	Yes			
Output Overvoltage Protection	Yes			
Insulation Resistance Protection	Yes			
Ground Fault Monitoring	Yes			
Surge Protection	Yes			
Islanding Protection	Yes			
Temperature Protection	Yes			
Integrated DC Switch	Optional			
General Data				
Size(mm)	700W × 684H × 307D			
Weight(kg)	60			
Topology	Transformerless			
Internal Consumption	<1W(Night)			
Running Temperature	-25~60 C			
Ingress Protection	IP65			
Noise Emission(Typical)	<30 dB			
Cooling Concept	Intelligent cooling			
Max. Operating Altitude Without Derating	2000m			
Designed Lifetime	>20 years			
Grid Connection Standard	EN50438,IEC61727,VDE4105,NB/T32004(CQC),IEC62109-1-2			
Operating Surroundings Humidity	0-100%			
Stafy EMC /Standard	IEC62109-1/-2,AS3100,EN61000-6-1			
Features				
DC Connection	MC-4 mateable			
AC Connection	IP65 rated plug			
Display	LCD 240 × 160			
Interface	RS485/RS232			